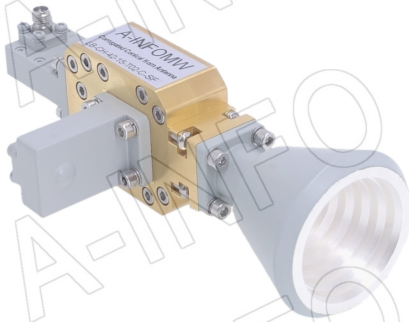


For reference only. See data sheet for the detailed specifications.

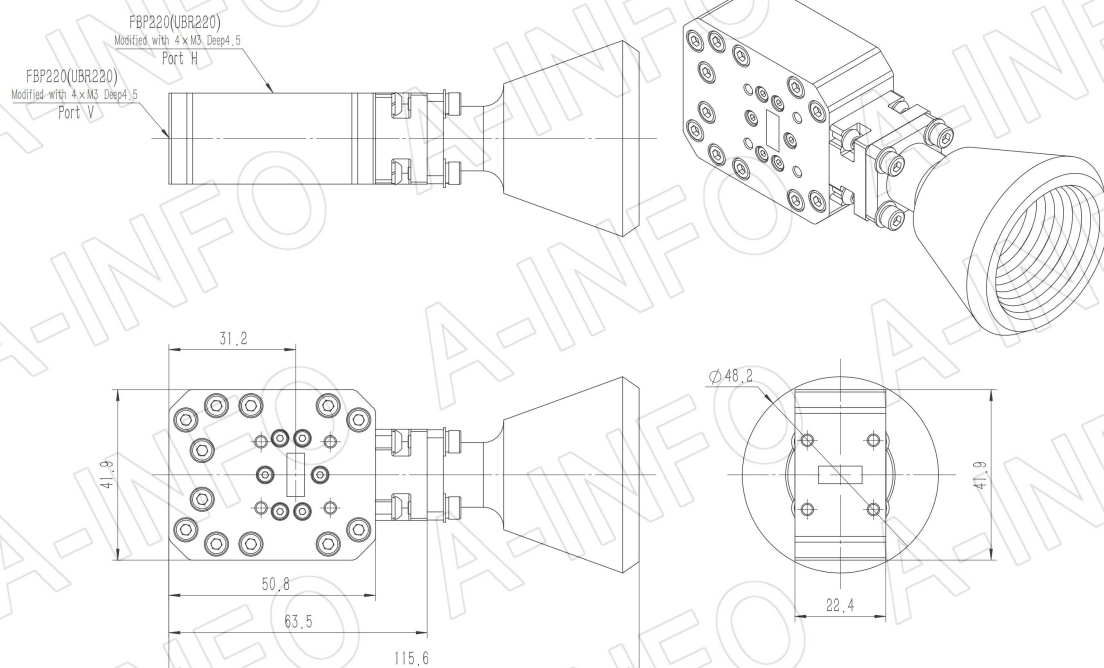
## Technical Specification



Frequency Range(GHz)	18.0 – 26.5
Waveguide	WR42
Gain(dBi)	15 Typ.
Polarization	Dual Linear
3dB Beamwidth(deg)	E Plane: 30 Typ.
	H Plane: 28 Typ.
Cross Pol. Isolation(dB)	50 Typ.
Port to Port Isolation(dB)	55 Typ. ; 45 Min.
VSWR	A Type: 1.50:1 Typ.
	C Type: 1.50:1 Typ.
Output	A Type: FBP220(UBR220) (Modified with 4XM3 D4.5)
	C Type: SMA-Female or 2.92mm-Female or 3.5mm-Female
Material	Al
Finish	Gold Plated and Sliver Plated, Gray Paint
Size(mm)	A Type: 48.2 x 48.2 x 115.6
	C Type: 70.3 x 48.2 x 150.6
Net Weight(Kg)	A Type: 0.20 Around
	C Type: 0.35 Around

## Outline Drawing (Size: mm)

FBP220 Output (P/N: LB-CH-42-15-T02-A)



**AINFO Inc.**

China(Beijing): Tel: (+86) 10-6266-7326,  
China(Chengdu): Tel: (+86) 28-8519-2786,  
USA : Tel: (+1) 949-639-9688,

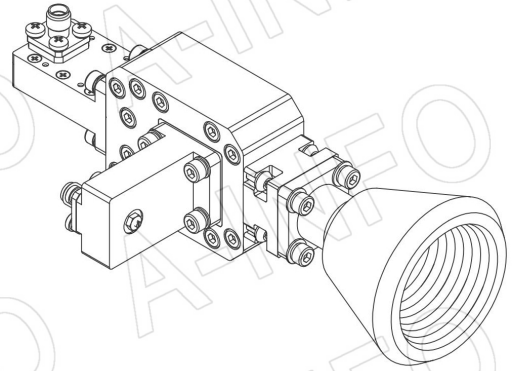
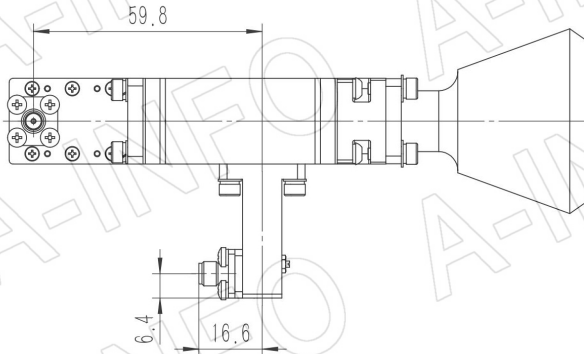
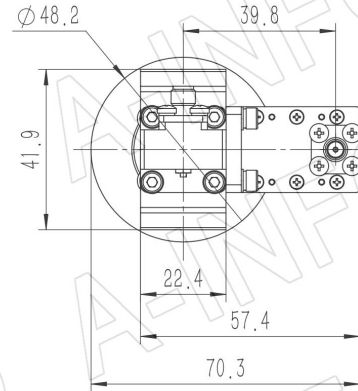
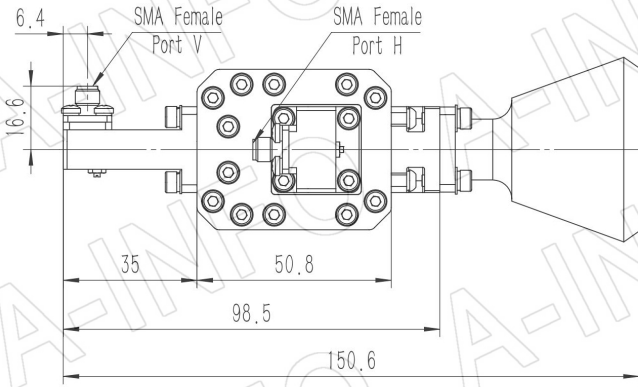
Page 1 of 10

(+86) 10-6266-7327 Fax: (+86) 10-6266-7379  
(+86) 28-8519-3044 Fax: (+86) 28-8519-3068  
(+1) 949-639-9608 Fax: (+1) 949-639-9670

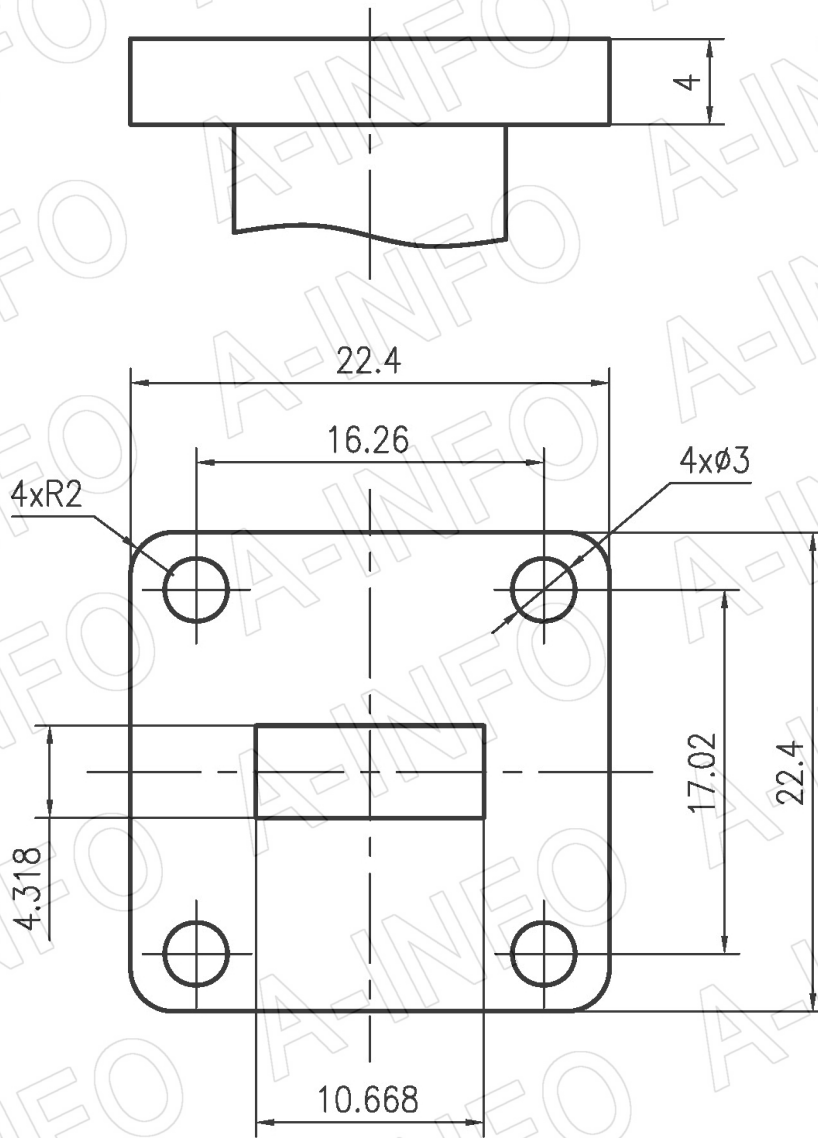
Website: [www.ainfoinc.com](http://www.ainfoinc.com)  
Email: [sales@ainfoinc.com](mailto:sales@ainfoinc.com)

## SMA-Female Output (P/N: LB-CH-42-15-T02-C-SF)

For 2.92mm-Female or 3.5mm-Female output outline drawing, please contact A-INFO.



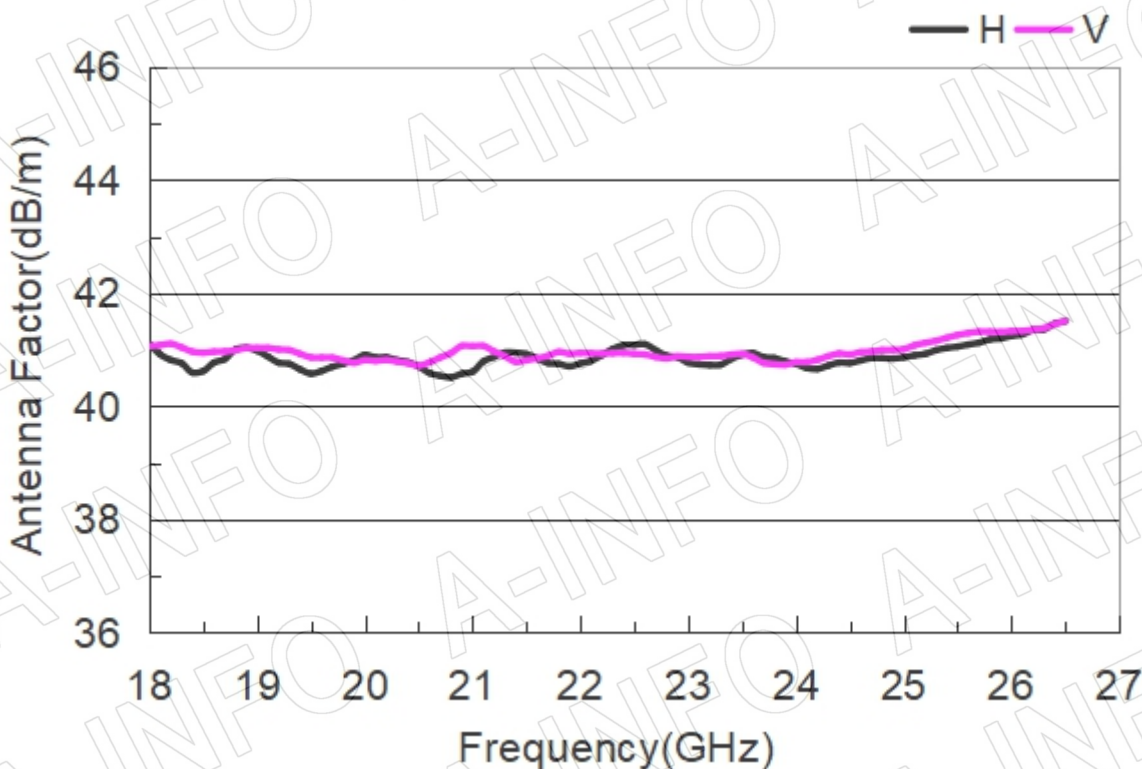
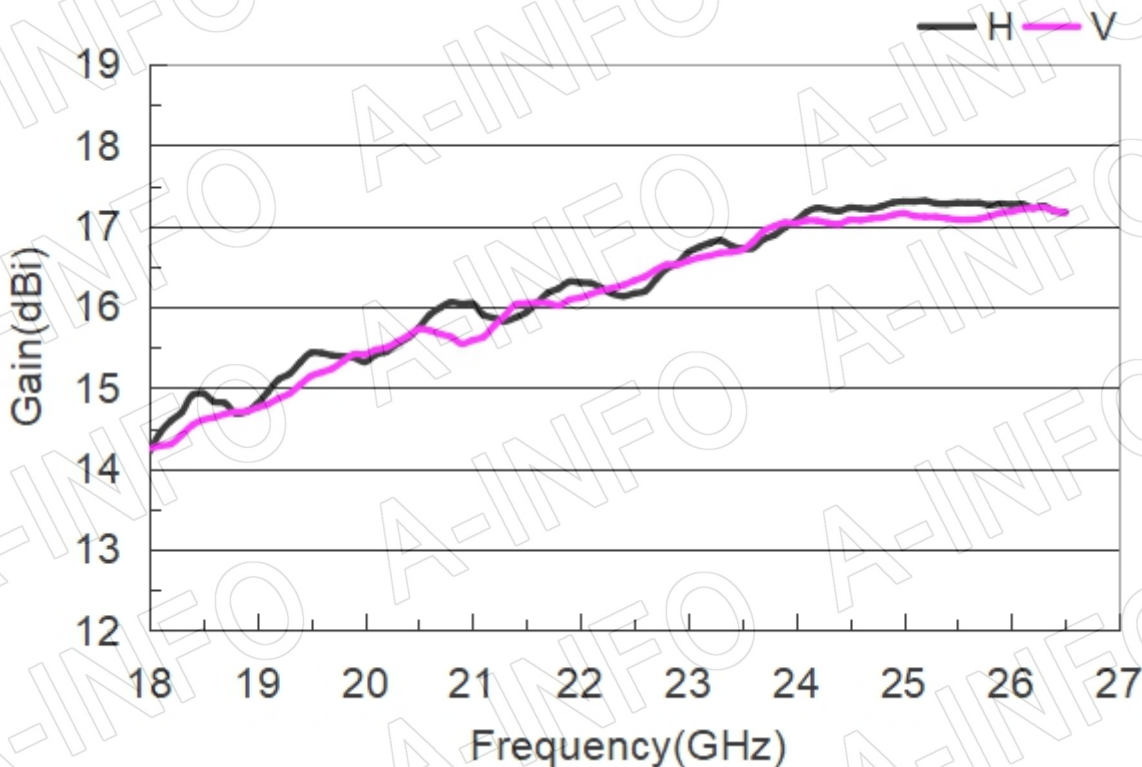
## Flange Drawing (Size: mm)



### FBP220

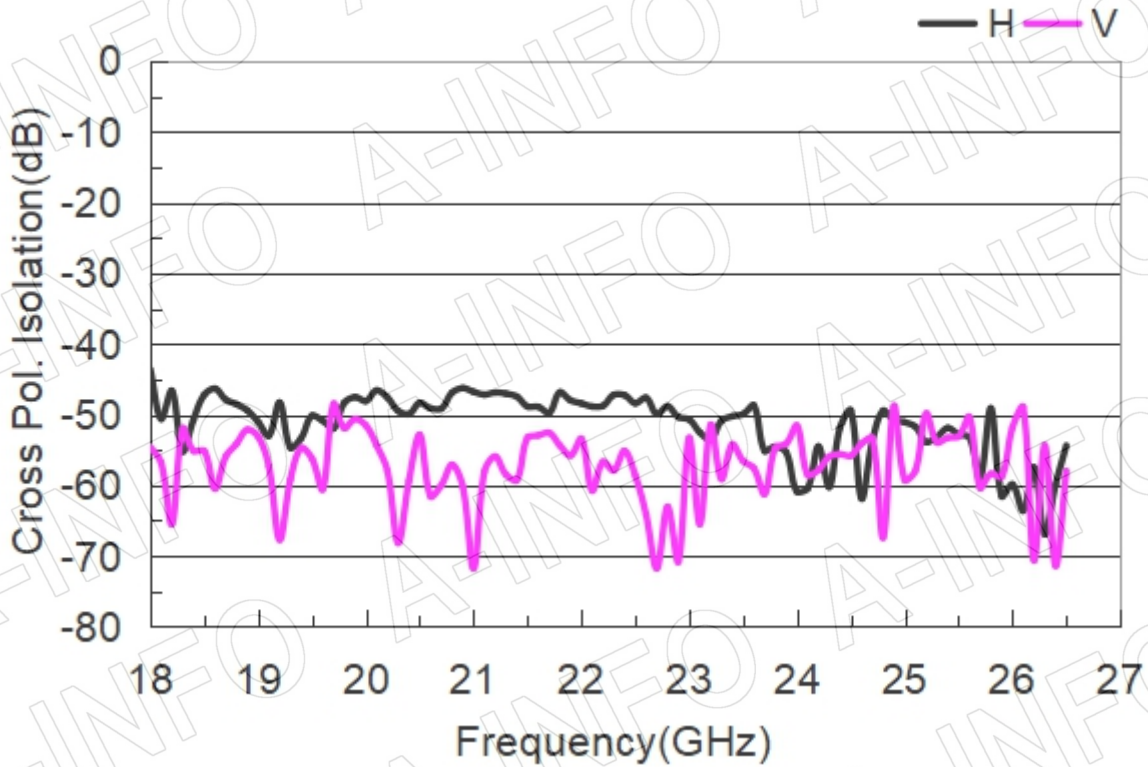
## Test Results

### 1. Gain & Antenna Factor

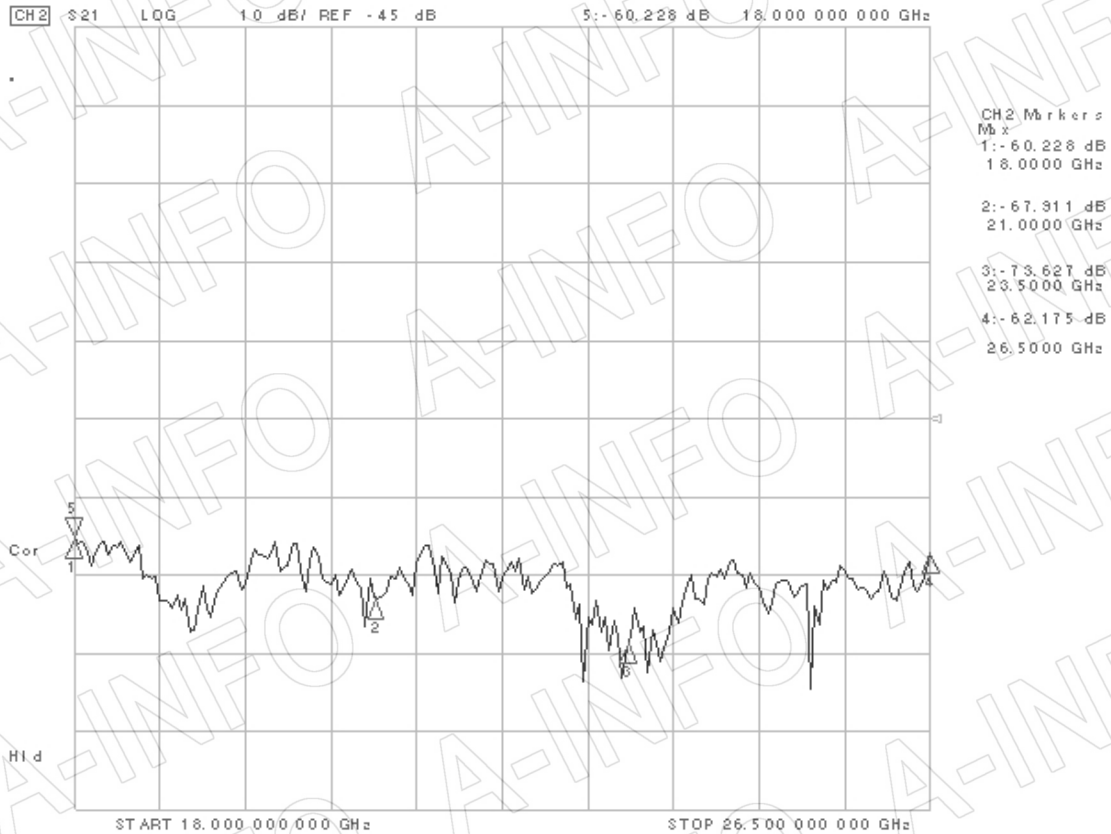




## 2. Cross Polarization Isolation

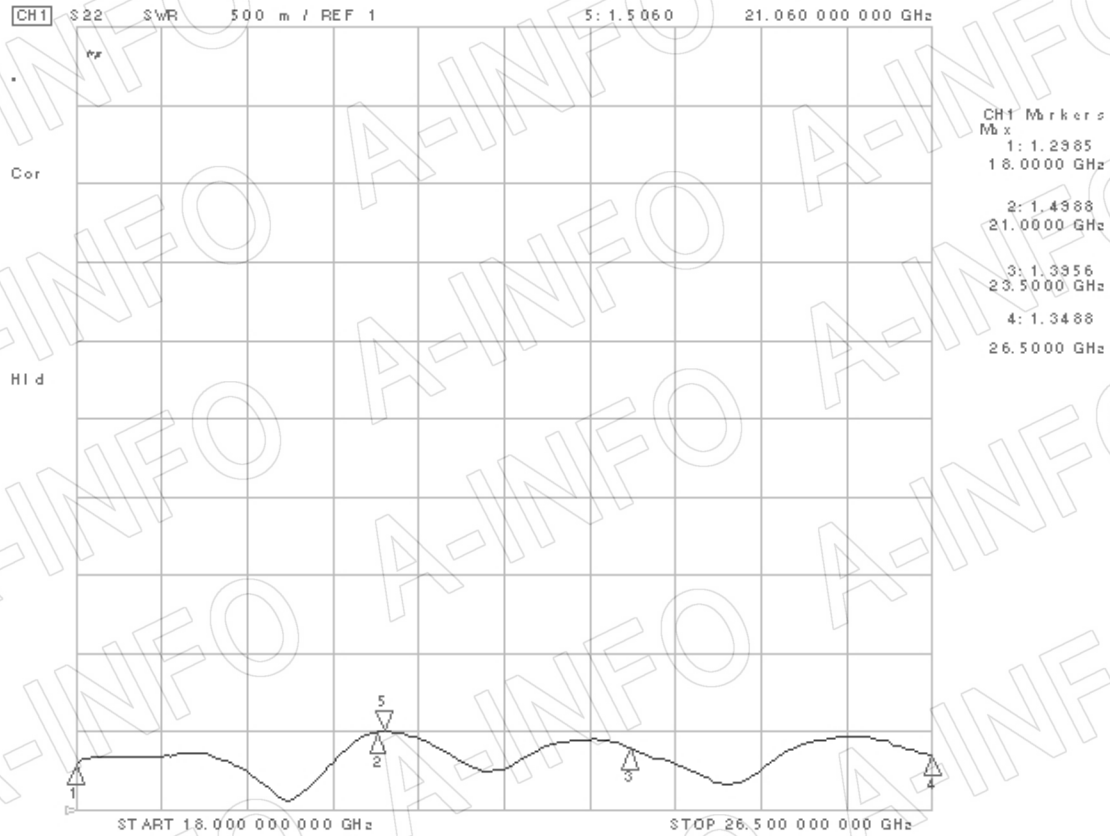


## 3. Port to Port Isolation

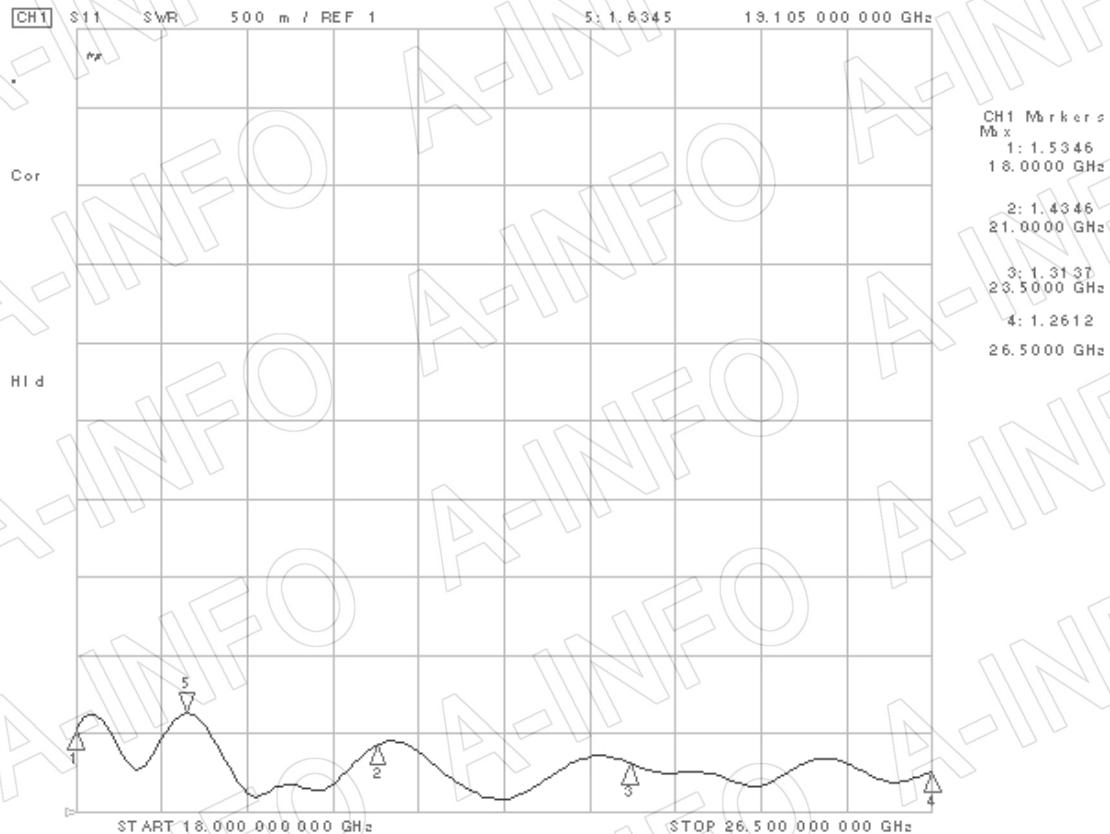


## 4. VSWR\_A Type

### Port-H

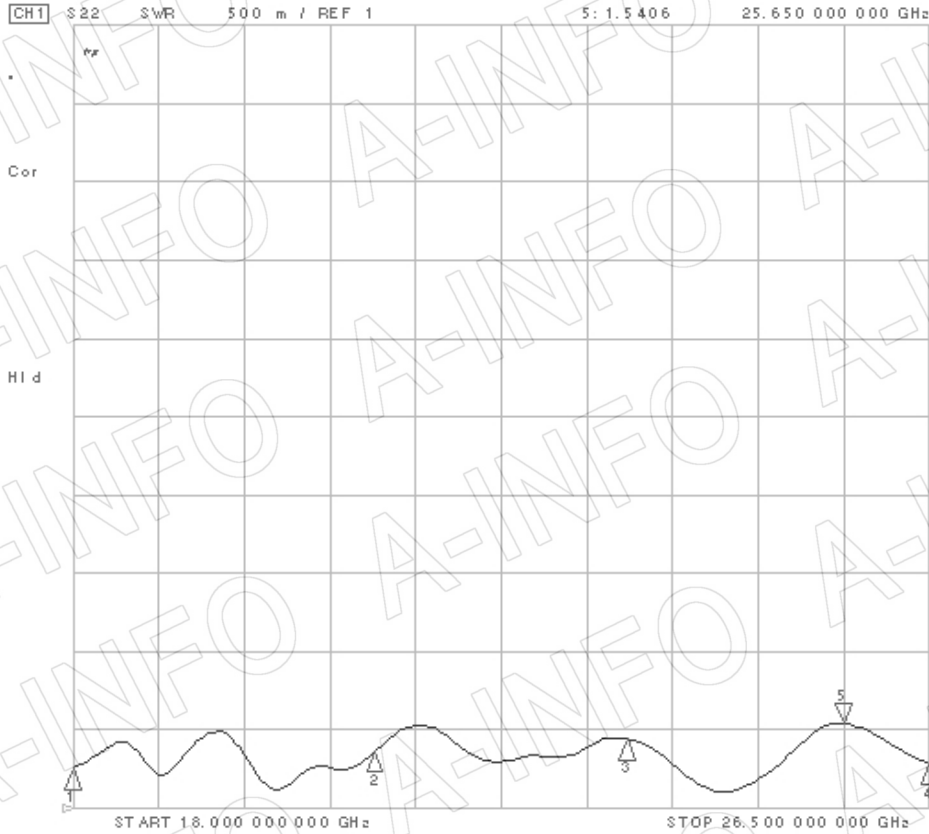


### Port-V

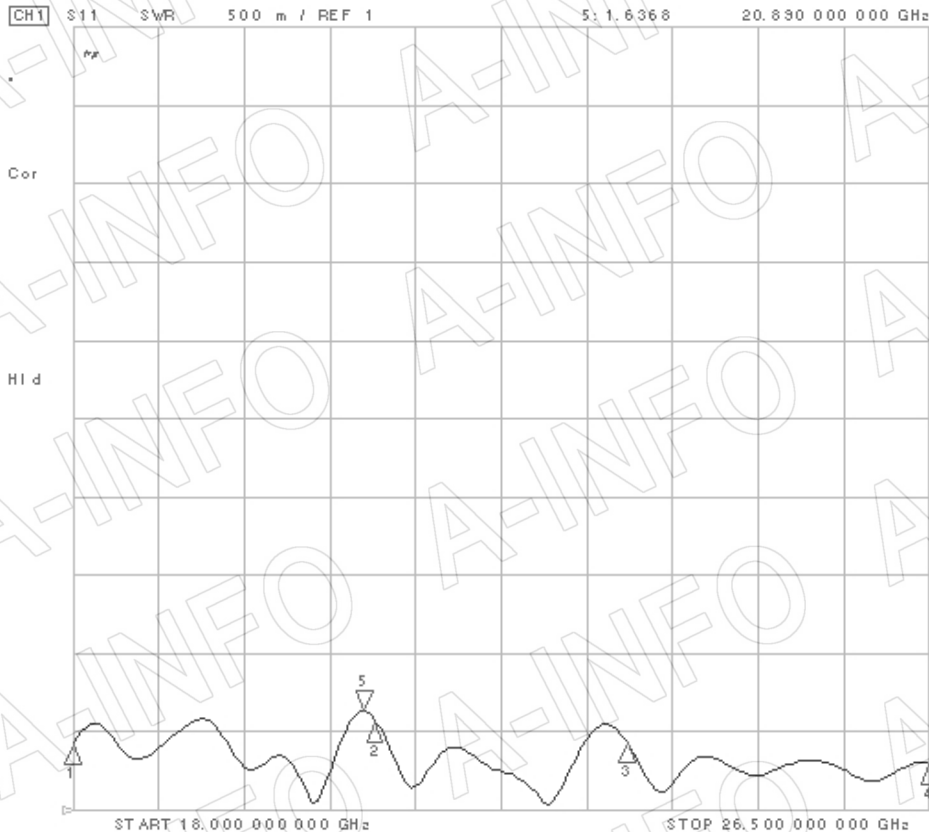


## VSWR\_C Type

### Port-H



### Port-V



## 5. Pattern

